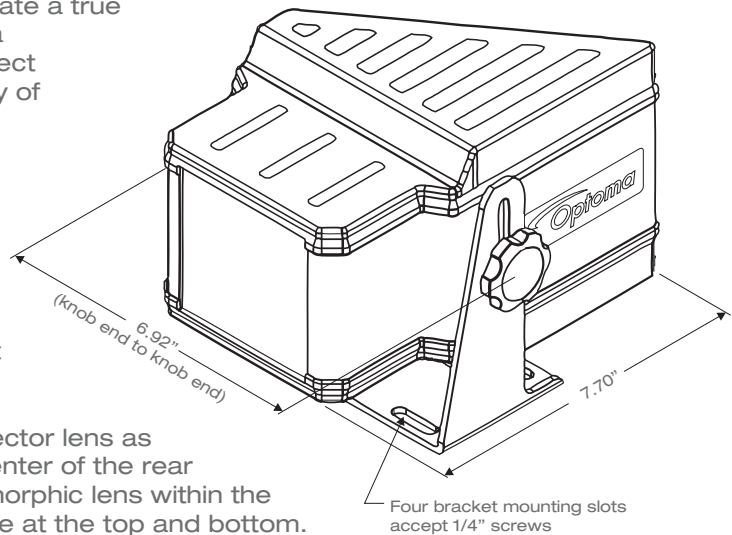


BX-AL133 – Anamorphic Lens

With Optoma’s anamorphic lens, the option to create a true cinematic setting is easier than ever. The Optoma BX-AL133 Anamorphic Lens offers true 2.35:1 aspect ratio in genuine movie theater style to match many of today’s DVD offerings.

Optoma’s BX-AL133 anamorphic lens is easy to install and will work perfectly with a home theater projector that is either sitting table-top or mounted. The accompanying mounting bracket can be attached directly to the ceiling or a projector plate. A self-made riser block may be needed if the bracket itself does not allow for proper positioning.

To use: Mount the BX-AL133 as close to the projector lens as possible, so that the projector beam enters the center of the rear lens opening. Leave enough room to tilt the anamorphic lens within the bracket so that the shape of the image is the same at the top and bottom.



BASIC REQUIREMENTS

- The width of the projector beam should be less than three (3) inches from where it enters the Optoma BX-AL133 anamorphic lens
- The recommended minimum throw distance from the projector lens to the screen should be at least 12 feet
- The throw distance divided by the image width (“throw ratio”) should be at least 1.6, prior to adding the Optoma BX-AL133
- Before attaching the lens, the image must appear vertical stretched; this can be done by selecting the “LBX” aspect ratio from the projector’s display menu

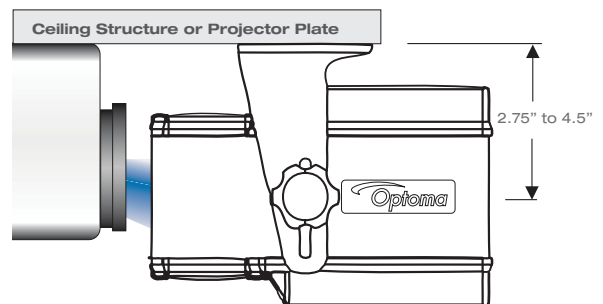
NOTES


- Any rotation of the lens around the vertical axis will slightly shift the image in a horizontal direction
- To clean: Lightly blow off any surface debris from the lens. If needed, clean the lens using standard cleaning supplies while the projector is on (be careful not to look directly into the light beam of the projector)

LIMITED WARRANTY

Optoma Technology Inc., warrants this product to be free of defects in original workmanship and material for a period of twenty-four (24) months from the date of purchased. During this period, a defective unit may be repaired or replaced, at the discretion of Optoma Technology inc., by returning it in its original packaging with a copy of your receipt. This warranty does not cover damage as a result from lack of proper care, accident, misuse or any cosmetic damage not reported within fifteen (15) days of purchase. Damages are limited to the cost of the product. A service charge may be applied to any returned product requiring cosmetic attention or to the repair of any damage not covered under this warranty.

Optics:	Patented, coated, five-element glass achromatic, anastigmatic design
Transmission:	Minimum 20% net brightness increase versus standard letterbox imaging.
System Weight:	8.5lbs. (3.9kg) with bracket
Assembled in the USA using components made in the USA and other countries.	



 The BX-AL133 lens is a heavy product. Use extreme caution if hanging from ceiling.