

# Panoview

## Professional Cinema Fixed Frame Screen



## Set-up Guide

# Product Content

The following items are included with your fixed framescreen.

Verify all items are present and prepare a clean working environment to begin assembly.

Part	Description	Quantity
#1	Frame (Long Bar)	2
#2	Frame (Short Bar)	2
#3	Screen (Glass Beeded)	1
#4	Screen Rod (Long Rod)	2
#5	Screen Rod (Short Rod)	2
#6	Frame Edge Protector (Long)	2
#7	Frame Edge Protector (Short)	2
#8	Hanging Plate	2
#9	Locking Screws	12+2
#10	Spring Hook	12+2
#11	Elbow Connectors	4
#12	M6*20 with Bolt and Screw	6
#13	M4*12 Screw	16

# Fixed-Frame Screen Set-up Instruction

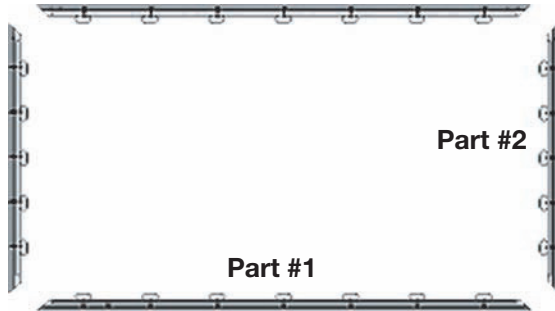


**Precaution:**

- 1) Attempt to assemble the fixed frame screen in a clean environment.
- 2) Professional mounting techniques should be observed. Manufacturer cannot be liable for substandard/faulty installations.

**1**

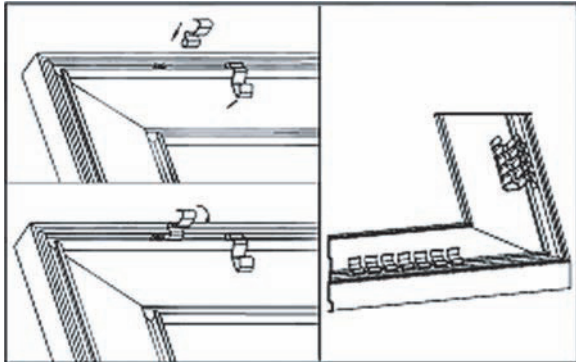
Layout the frame (the long and short bars).  
Parts Used: Frame (Part #1&2)



**2**

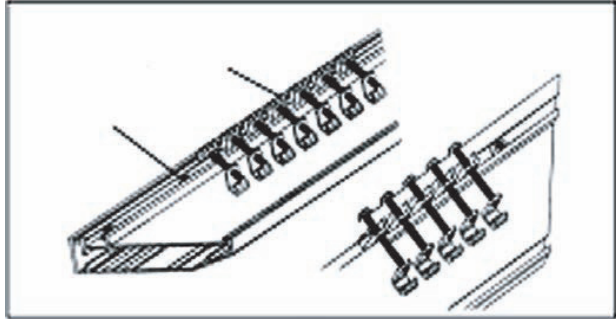
Insert the spring hook on one horizontal & vertical side into the screen frame as shown below. (Long side 7 hooks,short side 5 hooks)

Parts Used: Spring Hook (Part #10)



Insert the locking screws on one horizontal and vertical side into the screen frame as shown below. (Long side:7 locking screws,short side: 5 locking screws)

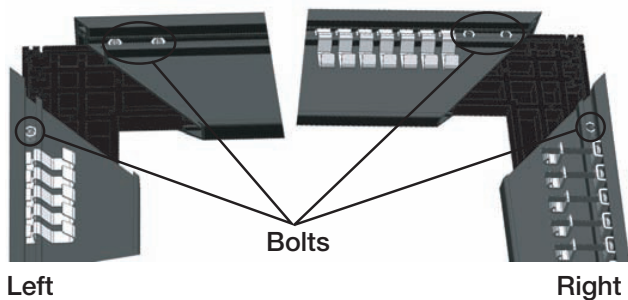
**Parts used: Locking Screws (part #9)**



# 3

Insert bolts of M6\*20 screw into the screen frame as shown below

**Parts used: M6\*20 nuts (part #13)**

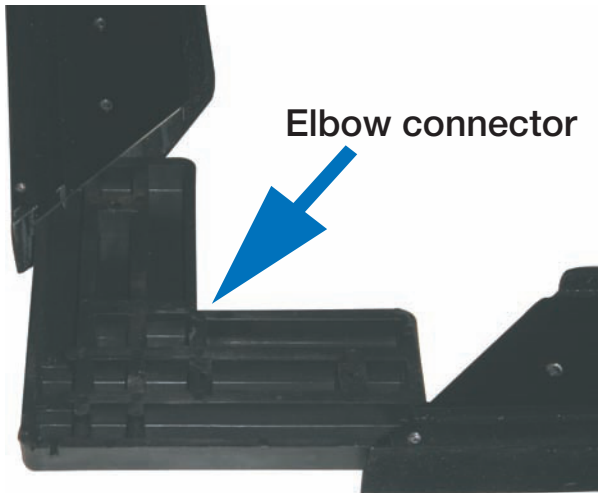




4

Insert the elbow connectors into the open ends of the frame to connect the sides together.

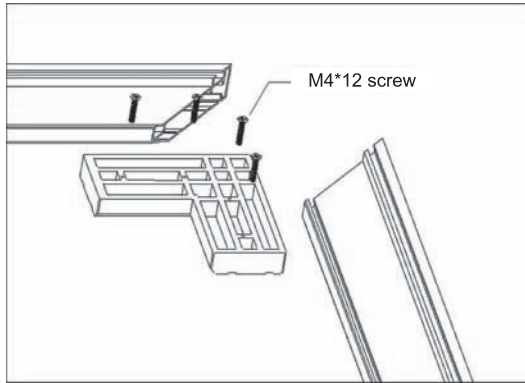
Parts used: Elbow connectors (part #4), frame



5

With the four sides of the frame connected, insert four M4\*12 screws to each corner of the screen as allowed

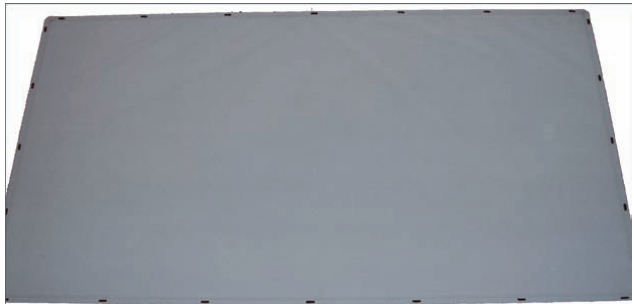
**Parts used: M4\*12 screws (part #12), elbow connectors, frame**



6

Un-roll the glass beaded screen, with the viewing side down

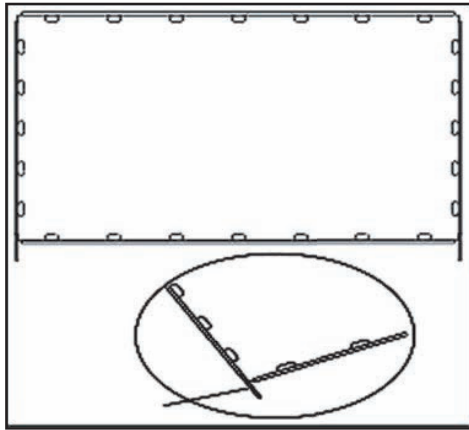
**Parts used: Screen (part #3)**



7

Thread the long rod into the horizontal edge of the screen. Then thread the short rod into the vertical edge of the screen.

Parts used: Screen rod (part #4/5), screen



8

With the rod threaded screen, connect the spring hooks (Fig. 8-A) to each of the openings of one horizontal side and one vertical side.

Parts used: spring hook, screen rod, screen

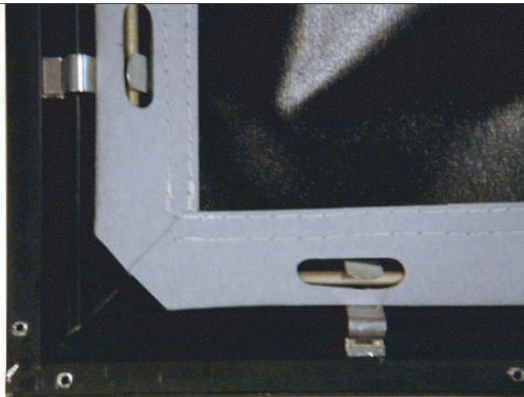


Fig 8-A

Connect the locking screw (Fig.8-B) to each of the openings of one horizontal side and one vertical side.

**Parts used: Locking screws, screen, screen rod**



Fig 8-B

Tighten locking screw with Philip screw driver (Fig. 8-C)

**Parts used: Philip Screw Driver**

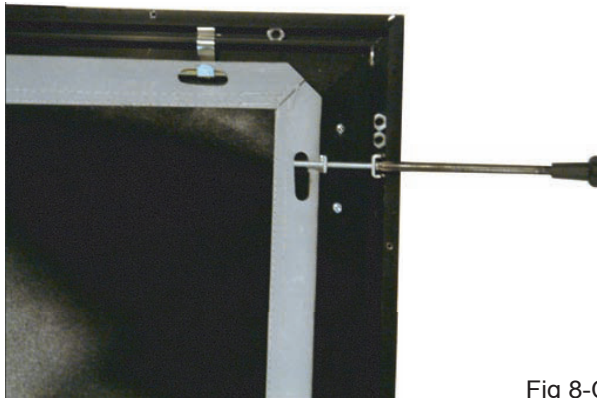
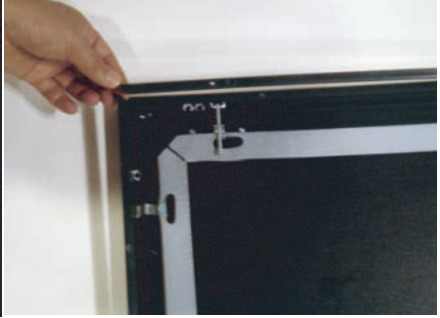
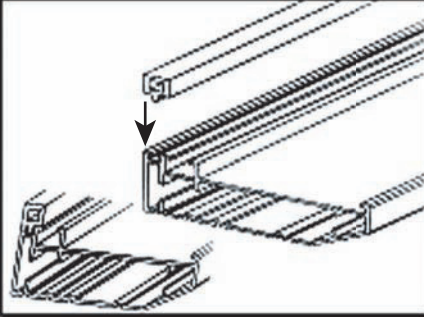


Fig 8-C

# 9

Install the frame edge protector to the frame as shown below.

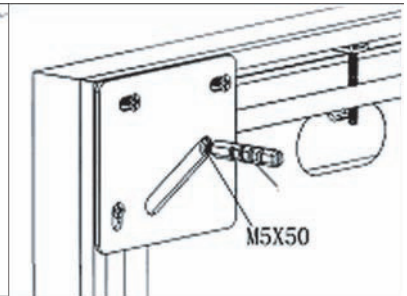
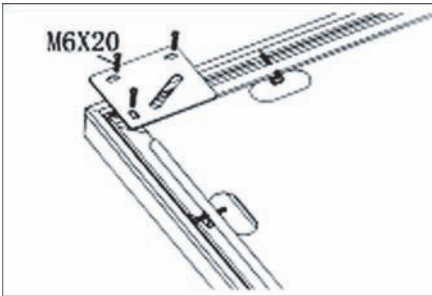
Parts used: Frame edge protector (part #6/7).



# 10

Install screen hangers on to the top corners of the frame. Using M6\*20 screw and bolt.

Parts used: Hanging plate (part #8), M6\*20 Screw (part #13)





**Canada**

5630 Kennedy Road  
Mississauga, ON, L4Z 2A9, Canada  
Tel: 905-882-4228  
Fax: 905-882-4229  
[www.optoma.com](http://www.optoma.com)

**USA**

715 Sycamore Drive  
Milpitas, CA 95035, USA  
Tel: 408-383-3700  
Fax: 408-383-3702  
[www.optomausa.com](http://www.optomausa.com)

**Optoma Technology, Inc.**

715 Sycamore Drive, Milpitas CA 95035  
Tel: 408-383-3700 • Fax: 408-383-3702

For more information, please visit [www.Optoma.com](http://www.Optoma.com).

Specifications subject to change without notice. Copyright © 2006 Optoma Technology, Inc.

  
*High-Definition Lifestyle*