

# Panoview

## Professional Cinema Portable-Lift Screen



## Set-up Guide

## **THANK YOU...**

For choosing Panoview projection screen. It is designed and engineered to produce the sharpest, most pleasing pictures with maximum convenience.

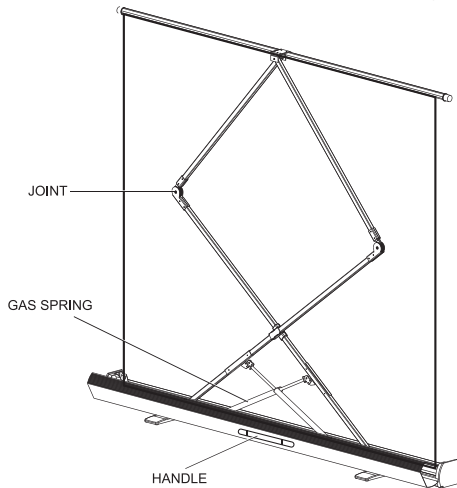
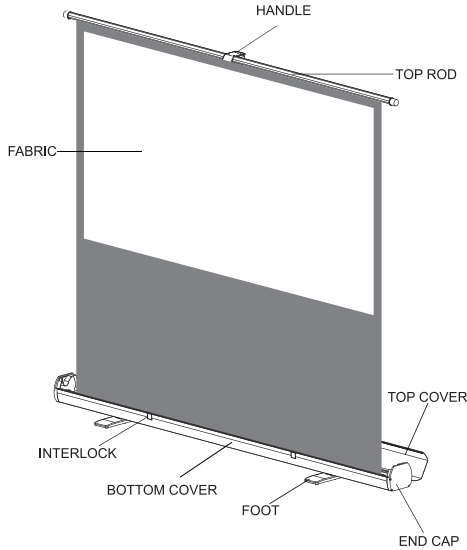
## **QUALITY FEATURES FOR BETTER PICTURES, EASIER OPERATION AND LONGER LIFE**

- Attractively styled
- Easy operation
- Completely self-storing
- Ideal for churches, schools, family centers and outdoor cinema.

For the finest in slide, film, and video projection

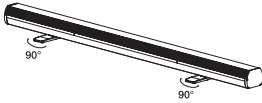
## CAUTIONS:

1. Handle the screen carefully to avoid any damage or distortion to the case.
2. Please do not touch the screen surface with fingers or sharp devices.
3. Keeping the screen far from direct sun light.

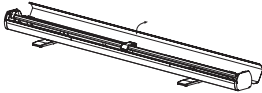


## Pull up the screen

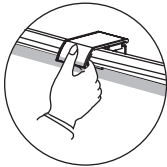
1. Rotate the plastic feet to be 90° to the metal case.



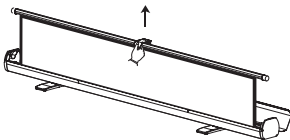
2. Unlock the two interlocks and open the top cover.



3. Hold the handle of Top Rod

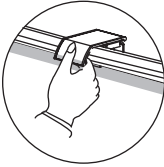


4. pull up the screen vertically and steadily to the optimum height.

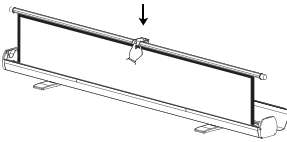


## Push down the screen

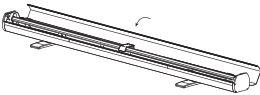
1. Hold the handle of top rod.



2. Push the screen vertically down and steadily until the screen is drawn back into the case.



3. Close the top cover, make sure that the top cover and bottom are identical and lock the two interlocks.



4. Rotate the plastic feet 90° back to their original position.





**Canada**

5630 Kennedy Road  
Mississauga, ON, L4Z 2A9, Canada  
Tel: 905-882-4228  
Fax: 905-882-4229  
[www.optoma.com](http://www.optoma.com)

**USA**

715 Sycamore Drive  
Milpitas, CA 95035, USA  
Tel: 408-383-3700  
Fax: 408-383-3702  
[www.optomausa.com](http://www.optomausa.com)

**Optoma Technology, Inc.**

715 Sycamore Drive, Milpitas CA 95035  
Tel: 408-383-3700 • Fax: 408-383-3702

For more information, please visit [www.Optoma.com](http://www.Optoma.com).

Specifications subject to change without notice. Copyright © 2006 Optoma Technology, Inc.

 **Optoma**  
High-Definition Lifestyle